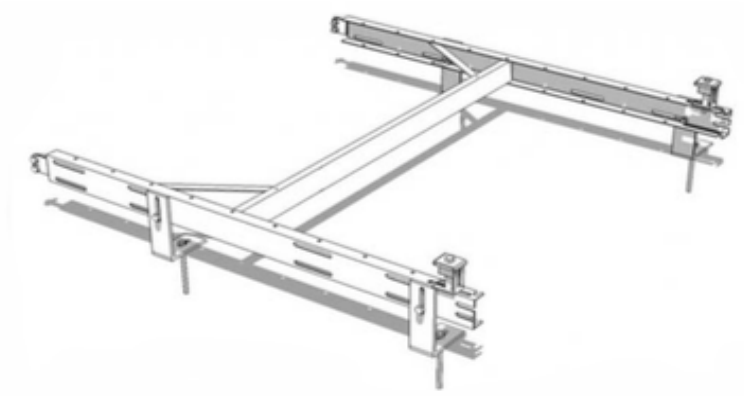




SR-0160

SR-0160

1 Panel RAQ Landscape



DIMENSIONAL SPECIFICATIONS & MATERIALS

SPATIAL DIMENSIONS

Fits rafter spacing	12", 16", 24", 48"
Fits panel widths	982mm - 1000mm
Fits panel thickness	32mm-50mm
Fits common panel cell count of	60 cell

PLACEMENT

Vertical wall mounting	YES
Panel position	Landscape
Inverter bolts provided	1
Zip ties provided	1

MATERIAL

Steel type	A36
Aluminum type	T6

FINISHES:

Powder coat	Black-standard
Z.A.M.	Upgrade

SPECIAL ORDER ODD SIZES:

Fits panel widths	1.38 max
Fits panel thickness	3mm-32mm

SNOW LOADING

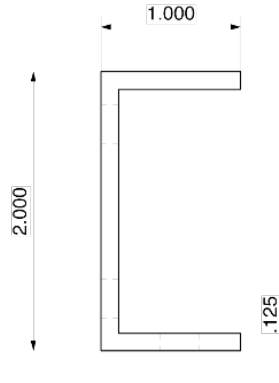
72" spacing of anchors	60 lbs
48" spacing of anchors	90 lbs
24" spacing of anchors	120 lbs

WIND ZONE

72" spacing of anchors	90mph
48" spacing of anchors	120mph
24" spacing of anchors	160mph

CERTIFICATIONS

US & CA UL Mechanical – 2703	E353639
US & CA UL Electrical -2703	E353639
FIRE Type I – 2703	PENDING
FIRE Type II – 2703	PENDING



RAIL SECTION

SHIPPING SPECIFICATIONS

SR-0160 STRAIGHT FOLDED			SR-0160 BOX DIMENSIONS		
Length	89"	2260.6mm	Length	91"	2057.4 mm
Width	7.5"	190.5 mm	Width	7.5"	190.5 mm
Height	8"	203.2 mm	Height	8.5"	215.9 mm
Weight	22 lbs.	9.98 kg	Weight	22 lbs.	9.98 kg
SR-0160 PALLET DIMENSIONS			SR-0160 UNFOLDED DIMENSIONS		
Length	91"	2057.4 mm	Length	67"	1701.8 mm
Width	44.5"	1130.3 mm	Width	28"	711.2 mm
Weight	1,320 lbs.	59838 kg.	Weight	22lbs.	9.98 kg
Height	24"	609.6 mm	Height	8"	203.2 mm

SR-0160 BOX DIMENSIONS
Optional Shipping WITH DETACHED ANCHORS
Length 43"
Width 8.5"
Weight
Height 3"