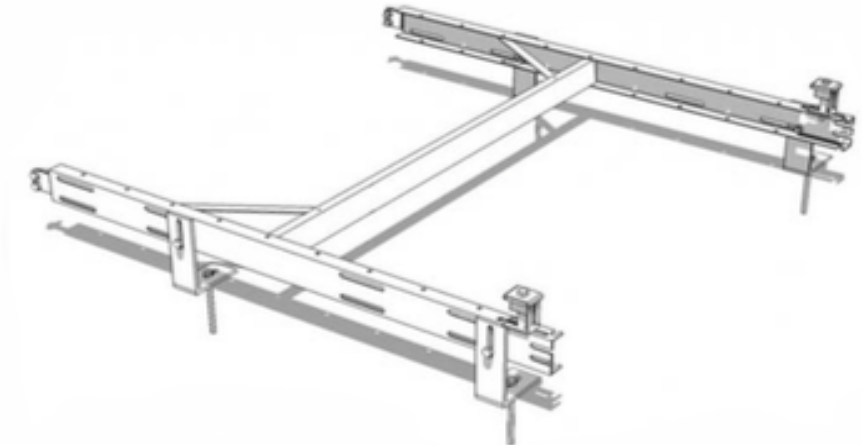




1 Panel RAQ Landscape



DIMENTIONAL SPECIFICATIONS & MATERIALS

SPATIAL DIMENSIONS

Fits rafter spacing	12", 16", 24", 48"
Fits panel widths	982mm - 1000mm
Fits panel thickness	32mm-50mm
Fits common panel cell count of	72 cell

PLACEMENT

Vertical wall mounting	YES
Panel position	Landscape
Inverter bolts provided	1
Zip ties provided	1

MATERIAL

Steel type	A36
Aluminum type	T6

FINISHES:

Powder coat	Black-standard
Z.A.M.	Upgrade

SPECIAL ORDER ODD SIZES:

Fits panel widths	1.38 max
Fits panel thickness	3mm-32mm

SNOW LOADING

72" spacing of anchors	60 lbs
48" spacing of anchors	90 lbs
24" spacing of anchors	120lbs

WIND ZONE

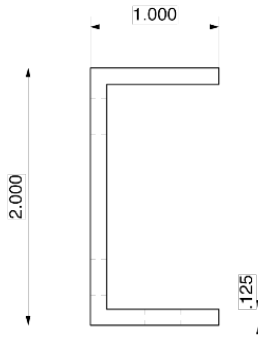
72" spacing of anchors	90mph
48" spacing of anchors	120mph
24" spacing of anchors	160mph

CERTIFICATIONS

US & CA UL Mechanical – 2703	E353639
US & CA UL Electrical -2703	E353639
FIRE Type I – 2703	PENDING
FIRE Type II – 2703	PENDING



1 Panel RAQ Landscape



RAIL SECTION

SHIPPING SPECIFICATIONS

SR-0170 STRAIGHT FOLDED			SR-0170 BOX DIMENSIONS		
Length	98 ¾"	2508.25 mm	Length	100"	2540 mm
Width	7.5"	190.5 mm	Width	7.5"	190.5 mm
Height	8"	203.2 mm	Height	8.5"	203.2 mm
Weight	25 lbs.	11.34 kg	Weight	25 lbs.	11.34 kg

SR-0170 PALLET DIMENSIONS			SR-0170 UNFOLDED DIMENSIONS		
Length	100"	2540 mm	Length	77"	1955.8 mm
Width	44.5"	1130.3 mm	Width	28.25"	717.55 mm
Weight	1,500 lbs.	680.39 kg	Weight	25 lbs.	11.34 kg
Height	24"	609.6 mm	Height	8"	203.2 mm

SR-0170 BOX DIMENSIONS Shipping WITH DETACHED ANCHORS

Length		
Width		
Weight		
Height	3"	76.2 mm